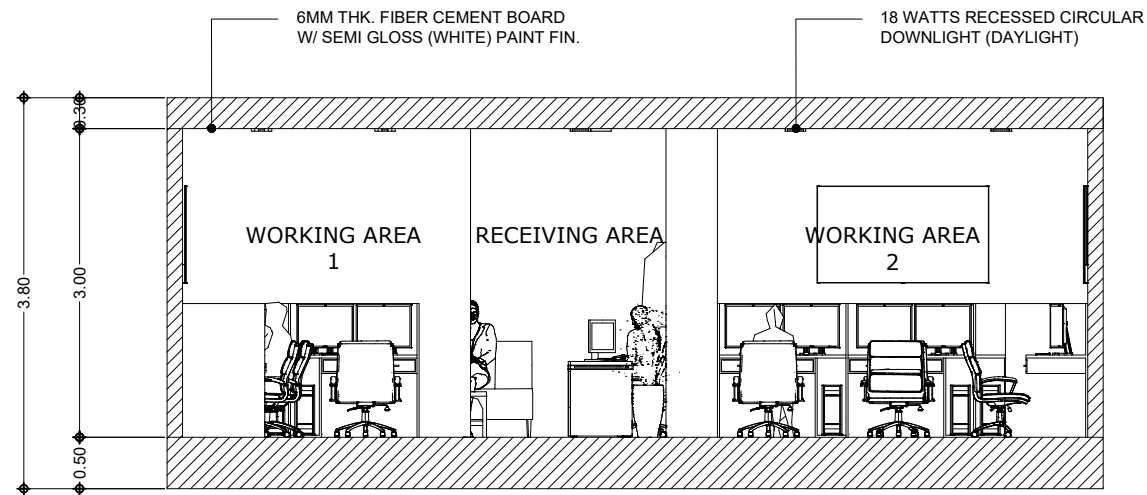
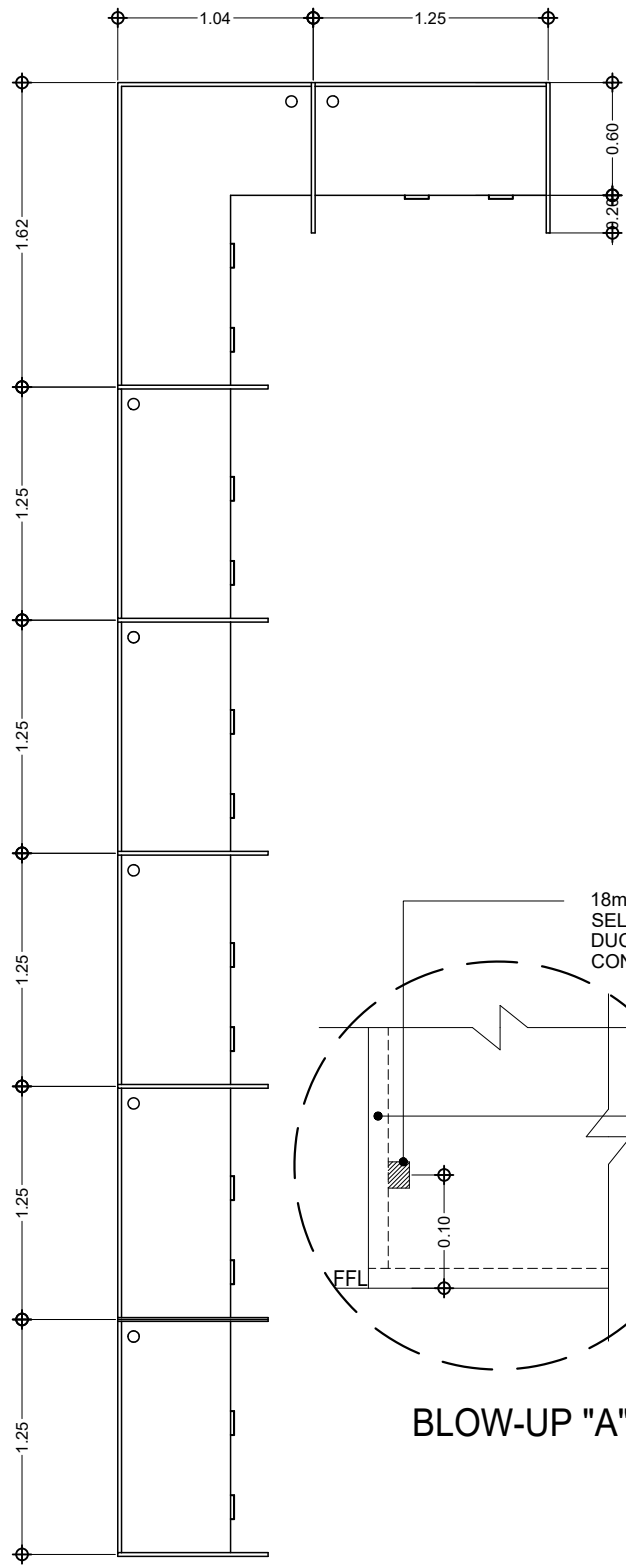


LONGITUDINAL SECTION
ELEVATION-SECTION
 A
 A-03 SCALE NTS.

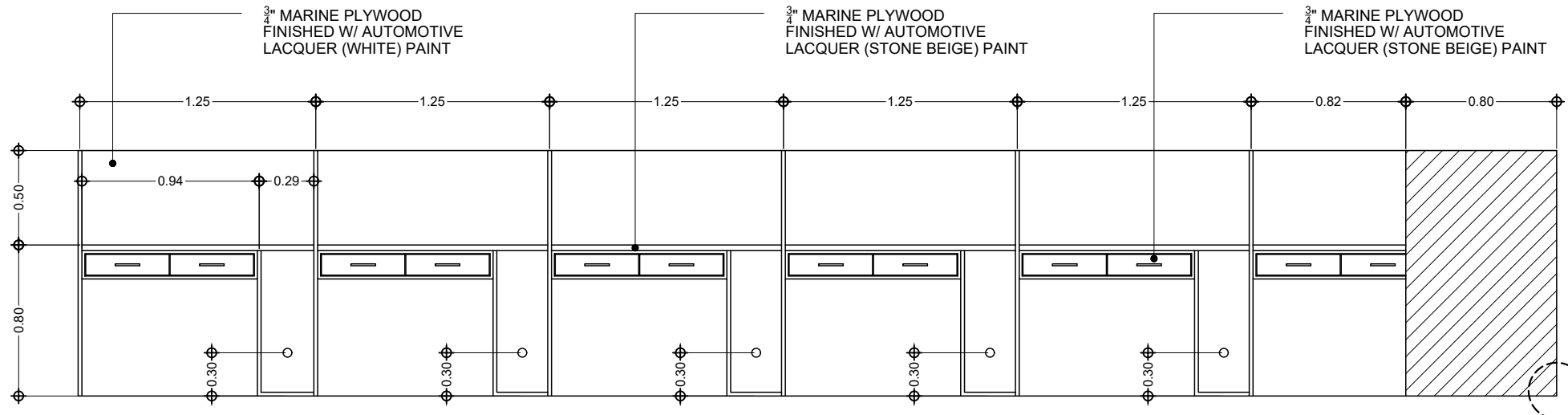


CROSS SECTION
ELEVATION-SECTION
 B
 A-03 SCALE NTS.

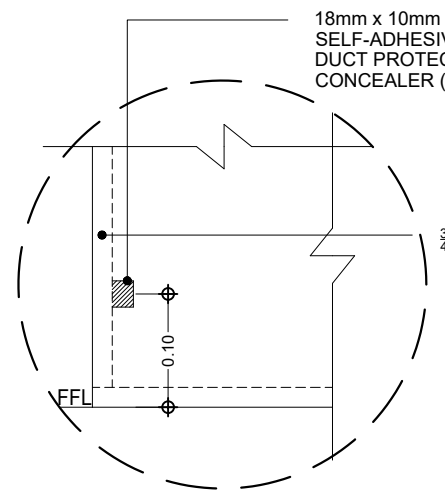
<p>SOUTHERN LEYTE STATE UNIVERSITY</p> <p>MAIN CAMPUS San Roque, Tagud, Southern Leyte Contact No. 0998-868-5234 Email: president@southernleytestate.edu.ph Website: www.southernleytestate.edu.ph</p> <p><small>Resilience Service Leadership and Good Governance Innovation Social Responsibility Integrity Professionalism Spirituality</small></p>	PREPARED BY :	REVIEWED BY :	PROJECT :	OWNER :	APPROVED AS PER PLAN :	SHEET CONTENT	SHEET NO.
	AR. JEAMES PAUL EVANGELISTA, UAP ARCHITECT I	ENGR. RYAN A. MACUTO, GREEN ADP+AA LUDIP Head Designate	RENOVATION AND RECONFIGURATION OF UISA OFFICE IN ADMIN BUILDING WITH PROVISIONS FOR SMART OFFICE	SOUTHERN LEYTE STATE UNIVERSITY	JUDE A. DUARTE, DPA UNIVERSITY PRESIDENT	AS SHOWN	A-03
	LOCATION: SLSU-MAIN CAMPUS, SAN ROQUE, SOGOD SOUTHERN LEYTE	ADDRESS: SOGOD, SOUTHERN LEYTE	CHECKED : APPROVED :	DRAWN : DATE :	SCALE AS SHOWN @ 20x30	PROJ. NO.	



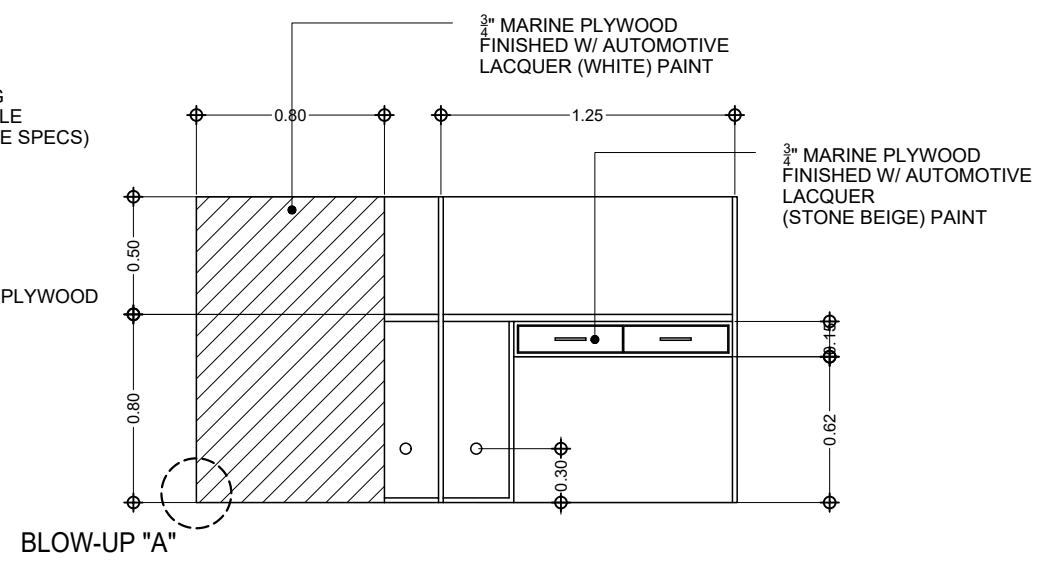
PLAN



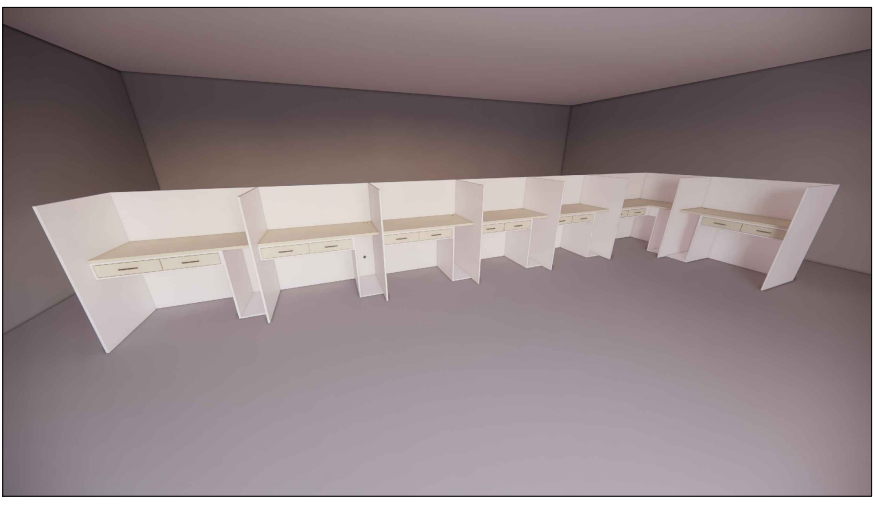
FRONT ELEVATION



BLOW-UP "A"



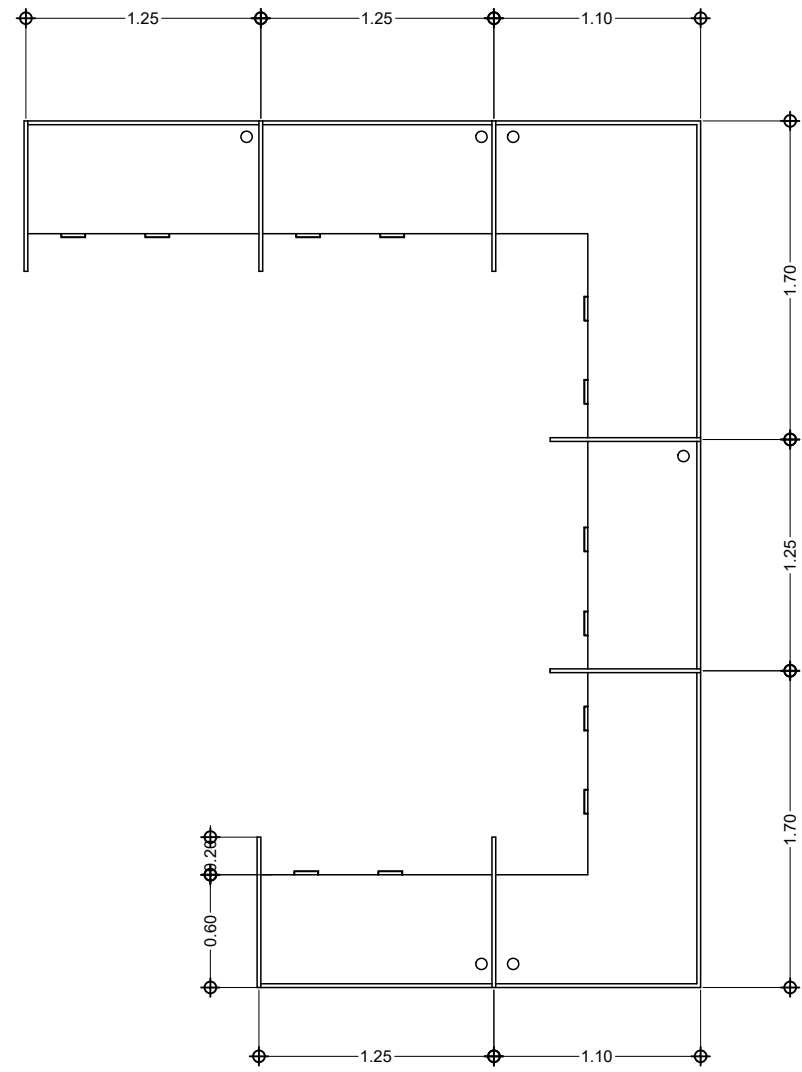
SIDE ELEVATION



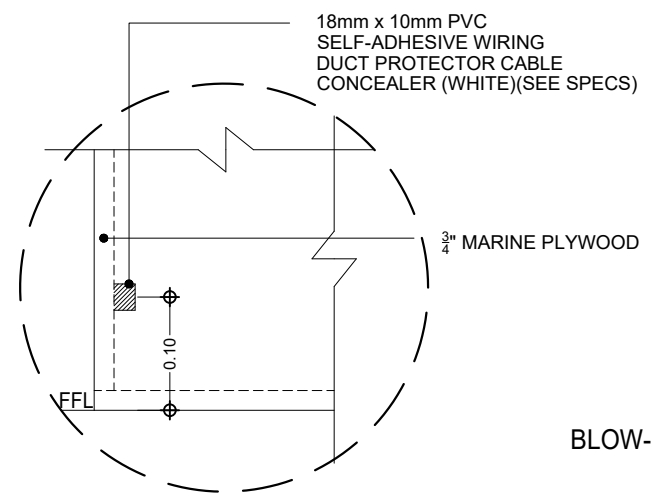
PERSPECTIVE

WORKING AREA 1
FURNITURE LAYOUT
 SCALE NTS.

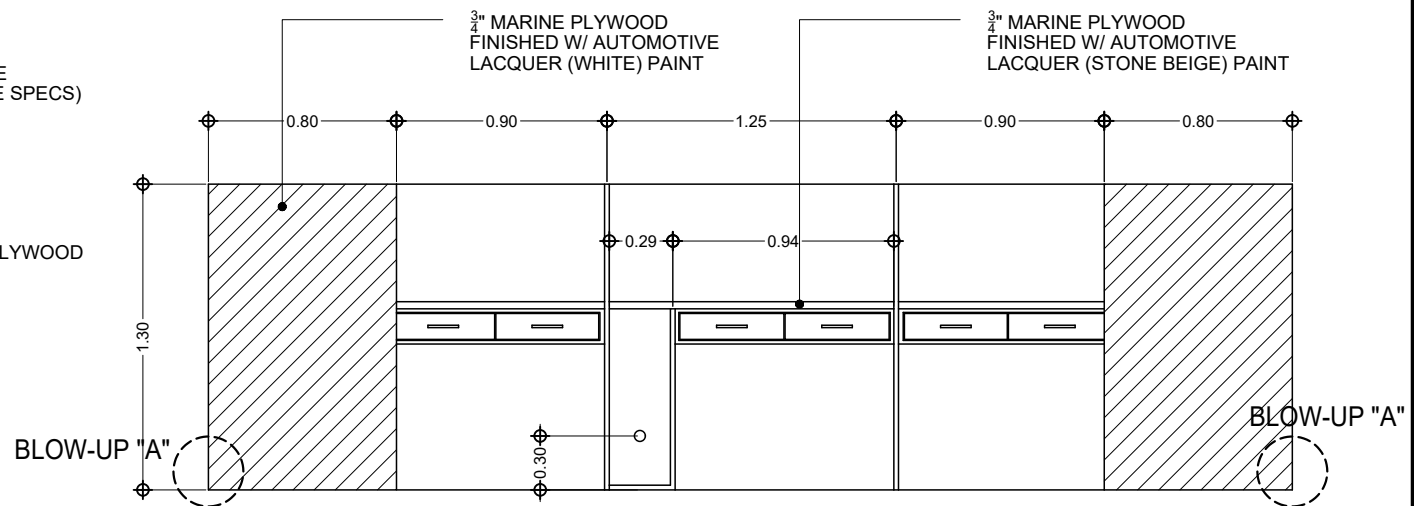
<p>SOUTHERN LEYTE STATE UNIVERSITY</p> <p>MAIN CAMPUS San Roque, Tagud, Southern Leyte Contact No. 0998-868-9334 Email: president@southernleyte.edu.ph Website: www.southernleyte.edu.ph</p>	PREPARED BY :	REVIEWED BY :	PROJECT :	OWNER :	APPROVED AS PER PLAN :	SHEET CONTENT	SHEET NO.
	AR. JEAMES PAUL EVANGELISTA, UAP ARCHITECT I	ENGR. RYAN A. MACUTO, GREEN ADP+AA LUDIP Head Designate	RENOVATION AND RECONFIGURATION OF UISA OFFICE IN ADMIN BUILDING WITH PROVISIONS FOR SMART OFFICE	SOUTHERN LEYTE STATE UNIVERSITY	JUDE A. DUARTE, DPA UNIVERSITY PRESIDENT	AS SHOWN	A-04
	LOCATION: SLSU-MAIN CAMPUS, SAN ROQUE, SOGOD SOUTHERN LEYTE			ADDRESS: SOGOD, SOUTHERN LEYTE		CHECKED : DRAWN : APPROVED : DATE :	SCALE AS SHOWN @ 20x30



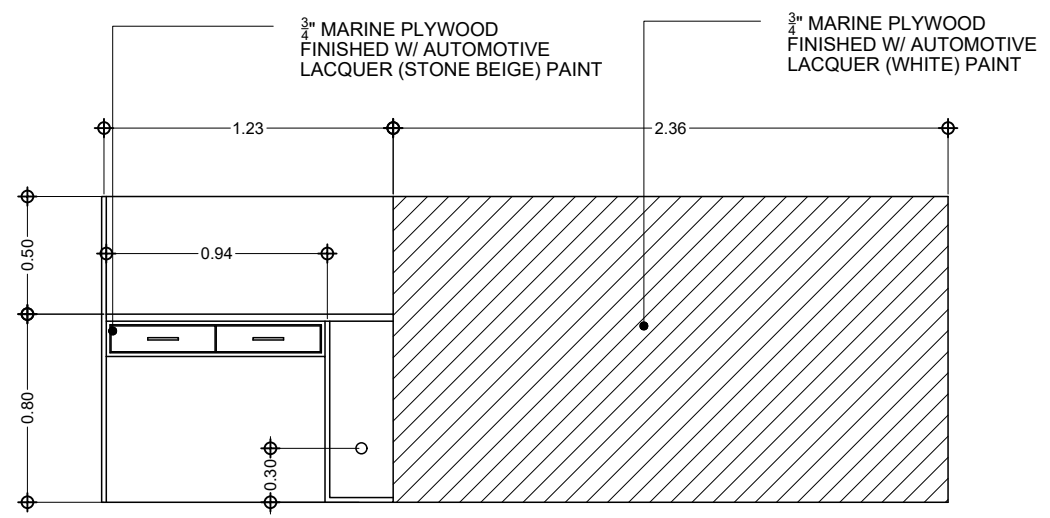
PLAN



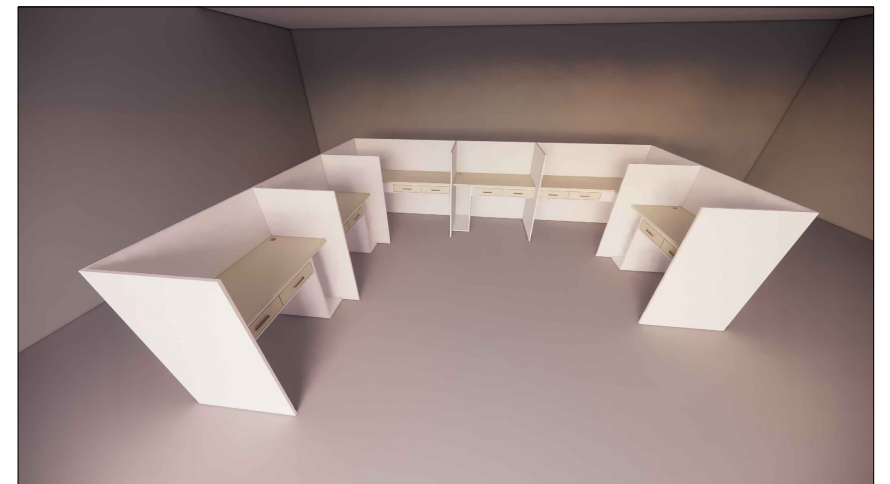
BLOW-UP "A"



FRONT ELEVATION




SIDE ELEVATION



PERSPECTIVE

WORKING AREA 2
FURNITURE LAYOUT
 SCALE _____ NTS.

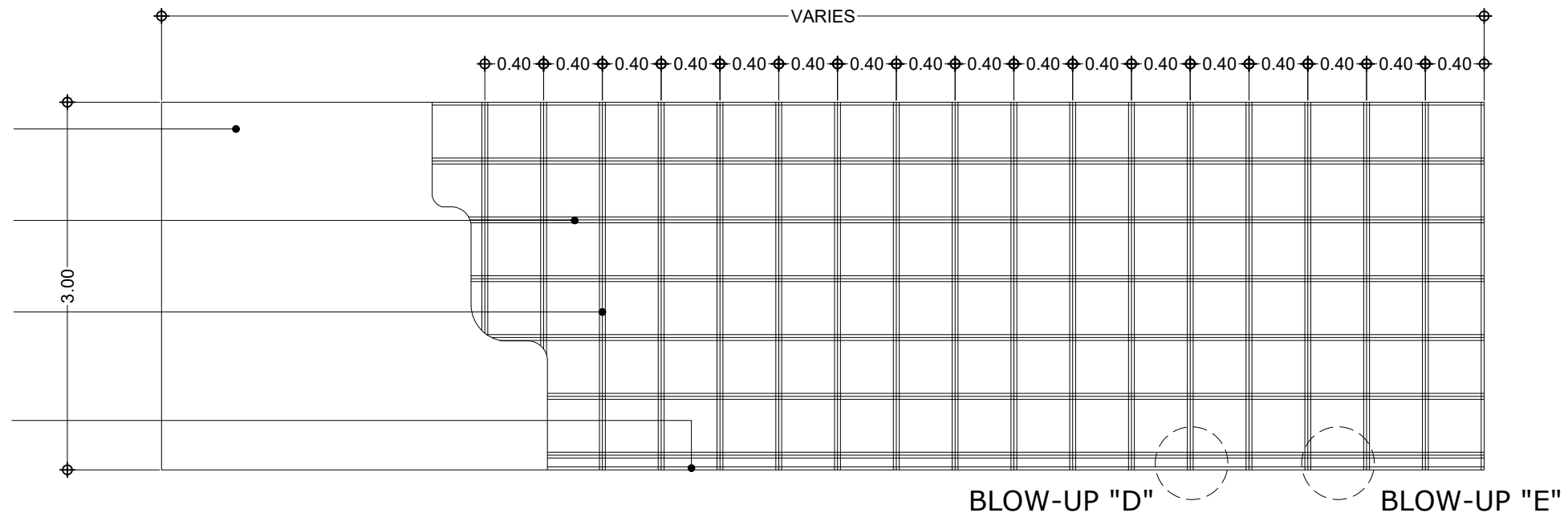
 <p>SOUTHERN LEYTE STATE UNIVERSITY</p> <p>MAIN CAMPUS San Roque, Tagud, Southern Leyte Contact No. 0998-868-5234 Email: president@southernleyte.edu.ph Website: www.southernleyte.edu.ph</p>	PREPARED BY :	REVIEWED BY :	PROJECT :	OWNER :	APPROVED AS PER PLAN :	SHEET CONTENT	SHEET NO.
	AR. JEAMES PAUL EVANGELISTA, UAP ARCHITECT I	ENGR. RYAN A. MACUTO, GREEN ADP+AA LUDIP Head Designate	RENOVATION AND RECONFIGURATION OF UISA OFFICE IN ADMIN BUILDING WITH PROVISIONS FOR SMART OFFICE	SOUTHERN LEYTE STATE UNIVERSITY	JUDE A. DUARTE, DPA UNIVERSITY PRESIDENT	AS SHOWN	A-05
	LOCATION: SLSU-MAIN CAMPUS, SAN ROQUE, SOGOD SOUTHERN LEYTE	ADDRESS: SOGOD, SOUTHERN LEYTE	CHECKED : _____ DRAWN : _____	APPROVED : _____ DATE : _____	SCALE AS SHOWN @ 20x30	PROJ. NO.	

WALL PANEL
(4ft x 8ft FIBER CEMENT BOARD)

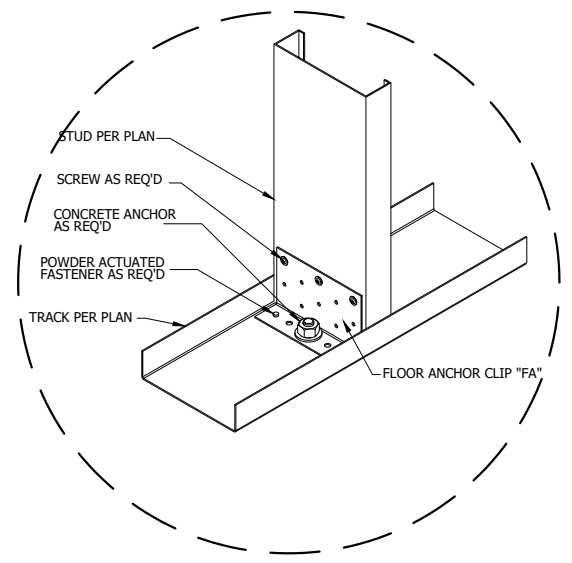
50mm x 100mm x 3.0m x 8.0 mm THK
HORIZONTAL C STUD SPACED @
400mm O.C.

50mm x 100mm x 3.0m x 8.0 mm THK
VERTICAL C STUD SPACED @
400mm O.C.

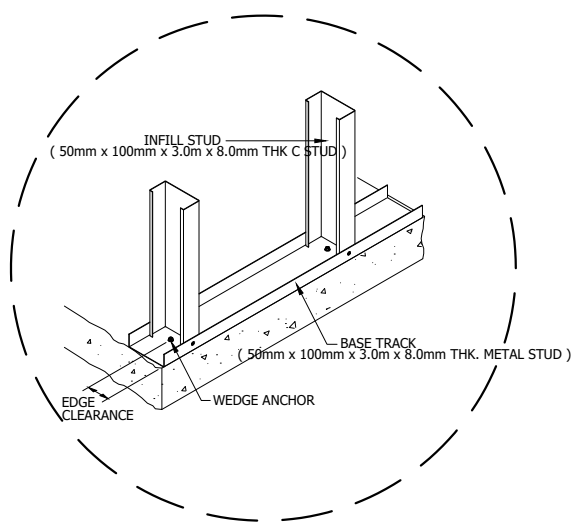
BASE TRACK
(50mm x 100mm x 3.0m x 8.0 mm
THK U STUD)



A
A-06 WALL PANEL DETAIL
SCALE NTS.



B
A-06 STUD TO FLOOR ANCHORING DETAIL
SCALE NTS.

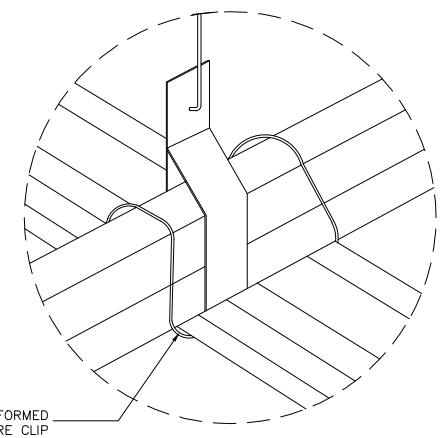


C
A-06 BOTTOM TRACK DETAIL
SCALE NTS.

<p>SOUTHERN LEYTE STATE UNIVERSITY</p> <p>MAIN CAMPUS San Roque, Tagud, Southern Leyte Contact No. 0998-868-5234 Email: president@southernleyte.edu.ph Website: www.southernleyte.edu.ph</p> <p>ISO 9001:2015 ISO 14001:2015 ISO 45001:2018 STARS RATING SYSTEM</p> <p>Resilience Service Leadership and Good Governance Innovation Social Responsibility Integrity Professionalism Spirituality</p>	PREPARED BY :	REVIEWED BY :	PROJECT :	OWNER :	APPROVED AS PER PLAN :	SHEET CONTENT	SHEET NO.
	AR. JEAMES PAUL EVANGELISTA, UAP ARCHITECT I	ENGR. RYAN A. MACUTO, GREEN ADP+AA LUDIP Head Designate	RENOVATION AND RECONFIGURATION OF UISA OFFICE IN ADMIN BUILDING WITH PROVISIONS FOR SMART OFFICE	SOUTHERN LEYTE STATE UNIVERSITY	JUDE A. DUARTE, DPA UNIVERSITY PRESIDENT	AS SHOWN	A-06
	LOCATION: SLSU-MAIN CAMPUS, SAN ROQUE, SOGOD SOUTHERN LEYTE	ADDRESS: SOGOD, SOUTHERN LEYTE	CHECKED : APPROVED :	DRAWN : DATE :	SCALE AS SHOWN @ 20x30	PROJ. NO.	

LEGEND & SYMBOLS

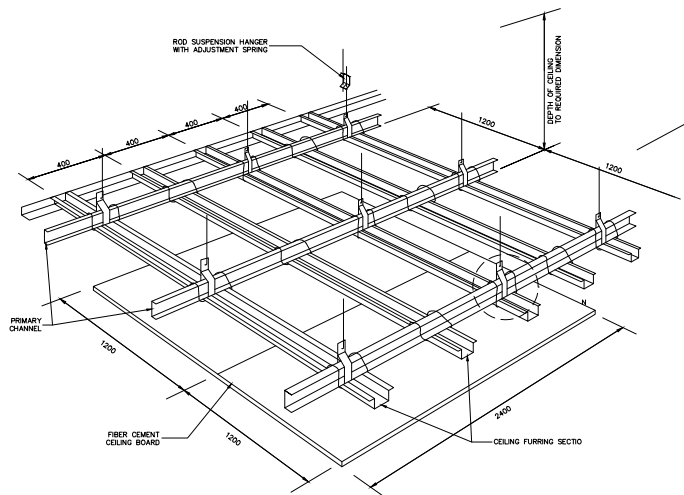

 18 WATTS LED (RECESSED MOUNTED)
 CIRCULAR DOWNLIGHT (DAYLIGHT)



PREFORMED WIRE CLIP

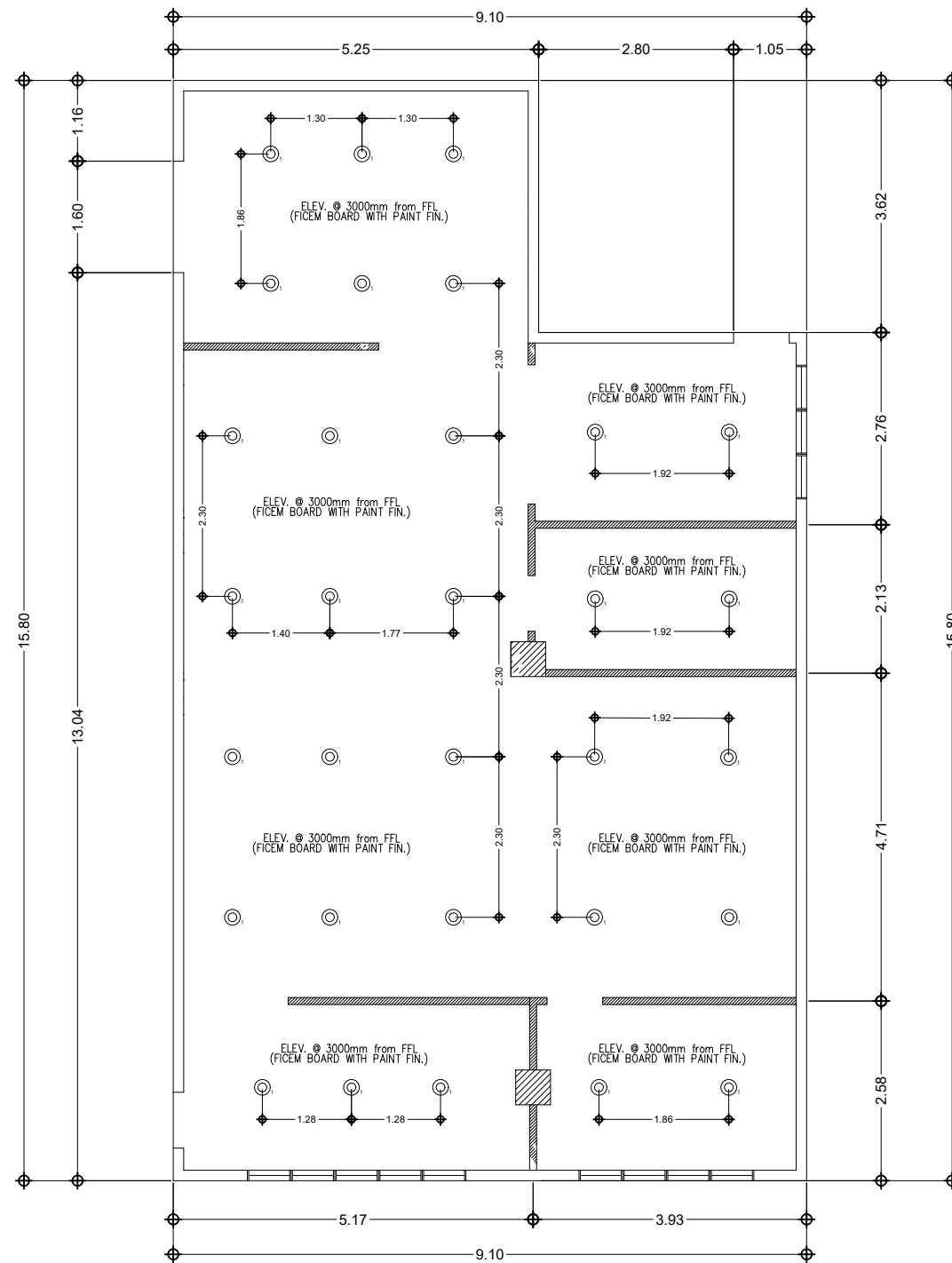
SPOT DETAIL

SCALE N T S.




PERSPECTIVE CEILING

SCALE N T S.



REFLECTED CEILING PLAN

SCALE 1 : 20 M.

 SOUTHERN LEYTE STATE UNIVERSITY <small>MAIN CAMPUS San Roque, Tagud, Southern Leyte Contact No. 0998-868-5234 Email: president@southernleytestate.edu.ph Website: www.southernleytestate.edu.ph</small>	PREPARED BY :	REVIEWED BY :	PROJECT :	OWNER :	APPROVED AS PER PLAN :	SHEET CONTENT	SHEET NO.
	AR. JEAMES PAUL EVANGELISTA, UAP ARCHITECT I	ENGR. RYAN A. MACUTO, GREENE ADP+AA LUDIP Head Designate	RENOVATION AND RECONFIGURATION OF UISA OFFICE IN ADMIN BUILDING WITH PROVISIONS FOR SMART OFFICE	SOUTHERN LEYTE STATE UNIVERSITY	JUDE A. DUARTE, DPA UNIVERSITY PRESIDENT	AS SHOWN	A-07
<small>Resilience Service Leadership and Good Governance Innovation Social Responsibility Integrity Professionalism Spirituality</small>			LOCATION: SLSU-MAIN CAMPUS, SAN ROQUE, SOGOD SOUTHERN LEYTE	ADDRESS: SOGOD, SOUTHERN LEYTE	CHECKED : APPROVED :	DRAWN : DATE :	SCALE AS SHOWN @ 20x30 PROJ. NO.

SCHEDULE OF DOORS	PLAN			
	ELEVATION			
MARK				
LOCATION		AS SHOWN IN THE PLAN	AS SHOWN IN THE PLAN	AS SHOWN IN THE PLAN
QUANTITY		1 SET	1 SET	4 SETS
SPECIFICATION		FRAMELESS DOUBLE-SWING GLASS DOOR USING 1/2" THICK TEMPERED GLASS W/ HEAVY DUTY DOOR CLOSER.	FRAMELESS SINGLE-SWING GLASS DOOR W/ FIXED GLASS USING 1/2" THICK TEMPERED GLASS W/ HEAVY DUTY DOOR CLOSER.	PANEL DOOR (OIL WOOD STAIN WALNUT-HALF TONE) WITH STAINLESS STEEL LEVER TYPE LOCKSET BOTH SIDE)



SCHEDULE OF DOORS

SCALE

N T S.

<p>SOUTHERN LEYTE STATE UNIVERSITY</p> <p>MAIN CAMPUS San Roque, Tagud, Southern Leyte Contact No. 0998-868-9334 Email: president@southernleytestate.edu.ph Website: www.southernleytestate.edu.ph</p> <p><small>Excellence Service Leadership and Good Governance Innovation Social Responsibility Integrity Professionalism Spirituality</small></p>	PREPARED BY :	REVIEWED BY :	PROJECT :	OWNER :	APPROVED AS PER PLAN :	SHEET CONTENT	SHEET NO.	
	AR. JEAMES PAUL EVANGELISTA, UAP ARCHITECT I	ENGR. RYAN A. MACUTO, GREEN ADP+AA LUUP Head Designate	RENOVATION AND RECONFIGURATION OF UISA OFFICE IN ADMIN BUILDING WITH PROVISIONS FOR SMART OFFICE	SOUTHERN LEYTE STATE UNIVERSITY	JUDE A. DUARTE, DPA UNIVERSITY PRESIDENT	AS SHOWN	A-08	
		LOCATION: SLSU-MAIN CAMPUS, SAN ROQUE, SOGOD SOUTHERN LEYTE	ADDRESS: SOGOD, SOUTHERN LEYTE		CHECKED : APPROVED :	DRAWN : DATE :	SCALE AS SHOWN @ 20x30	PROJ. NO.